

# PLANET FLOYD

## Technical Rider - 10 / 2015

**The whole rider is an integral part of the contract!**

*For every demanded device there will be proposals of different types and manufacturers. Different material on the same level of quality will be accepted. Because of bad experience in the past we ask you to refrain from Low-Budget brands like BEHRINGER, PHONIC or similar. Same with self made PA- and Monitor-Systems. All equipment has to be in excellent technical and optical condition!*

**The setup and operation of all Lighting- and Sound equipment must comply with current standards and safety policies!**

### PA System

Professional PA-System, 2- or 3way active, dimension according to the size of the location. The system power has to be dimensioned to generate an average SPL of 105dB(A), distortion-free, on every seat of the venue. If possible a flown PA system has to be used supported by near-fills. Delayline(s) if necessary.

*TW Audio, d&b, I-acoustics, Meyer Sound, Concert Audio*

### FoH Console & Outboard

**FoH will be provided by PLANET FLOYD!**

If Planet Floyd will not be able to bring own equipment due to traveling-distance, equivalent equipment also has to be provided by the **local PA rental company**. If so, PLANET FLOYD will provide a "FoH Rider" separately to match the equipment of the rental company with our requirements.

### Multicore & Stagebox

**Multicore & Stagebox will be provided by PLANET FLOYD!**

If PLANET FLOYD will not be able to bring own equipment due to traveling-distance, equivalent equipment also has to be provided by the **local PA rental company**. If so, PLANET FLOYD will provide a "FoH Rider" separately to match the equipment of the rental company with our requirements.

# PLANET FLOYD

## FoH Miscellaneous

FoH for mixing- and lighting desk has to be center-located in the back-third of the venue. Not directly in front of a wall, not directly under a gallery. FoH has to be sufficiently secured (crash-barriers, possibly security).

Floor space required for FoH: 3m x 5m (W x D)

Mixing console not elevated, Lighting console on riser 3m x 2m x 0,4m

For Open Air concerts: Roofing for FoH, closed on 3 sides (e.g. tent)

## Monitoring

02 Channel Amping for wedges (*min. 500W pro Channel*)

02 Wedges, same type (*TW-Audio C15, d&b M4, PairForce 152, Nexo PS15o.ä.*)

**InEar Systems & Amping for Drumshaker will be provided by PLANET FLOYD!**

## Monitor Console & Outboard

**Monitor console will be provided by PLANET FLOYD!**

If PLANET FLOYD will not be able to bring own equipment due to traveling-distance, equivalent equipment also has to be provided by the local PA rental company. If so, PLANET FLOYD will provide a "Monitor Rider" separately to match the equipment of the rental company with our requirements.

## Monitor Miscellaneous

Monitor desk on the side of the stage, located near stage entrance of the band.

Monitor technician should have a good view on the stage and be outside the visible area of the audience (e.g. use molton clothing)

## Microphones / Mic-Stands / Cabling

**Microphones / Mic-Stands / XLR-Cables etc. will be provided by PLANET FLOYD!**

If PLANET FLOYD will not be able to bring own equipment due to traveling-distance, equivalent equipment also has to be provided by the **local PA rental company**. If so, PLANET FLOYD will provide a "Microphone Rider" separately to match the equipment of the rental company with our requirements.

# PLANET FLOYD

## Stage / Riser

Safely build stage construction, according to BGV C1. No edges, gaps or offsets!  
Clear height of stage (stage floor to trussing) min. 4m  
Open stage roofing overlaying 1m on all sides.

Stage and risers have to be clothed with black molton, hardly inflammable according to B1!

- 01 Riser 3 x 2 x 0,4m (W x D x H) for Drums (refer to stageplot)
- 01 Riser 2 x 2 x 0,4m (W x D x H) for Keys (refer to stageplot)
- 01 Riser 3 x 1 x 0,2m (W x D x H) for Backing Vocals (refer to stageplot)

Stage entrance on side of stage width min. 1m (Stairs!)

## Power requirements

- 01 CEE 400V/16A outlet with distribution to 3x 230V Schuko according VDE 0100, located near monitor desk!

Power requirement for PA system and Lighting has to be dimensioned and planned separately!

# PLANET FLOYD

## Lighting

For most shows, the lighting equipment will be a combination of a basic setup provided by the local PA rental company, complemented by some special lighting equipment for the Planet Floyd show that will be provided via PLANET FLOYD.

The exact specification of the lighting equipment to be provided by the local PA rental company will vary depending on the size of the location and stage and has to be planned according to the venue and show-size.

For a mid-sized show, the following equipment **to be provided by the local PA rental company** will have to cover the following specs.

### Trussing

- 01 Front: Sufficiently dimensioned traverse system on ground supports, covering the complete width of the stage or flown traverse system following BGV C1. Both with facility to mount Video Beamer
- 01 Back: Sufficiently dimensioned traverse system on ground supports, covering the complete width of the stage or flown traverse system following BGV C1. Both with facility to mount Video Projection Wall.

Or entire rectangular traverse system on all 4 sides of stage on ground supports.

### Lights Front

- 09 Fresnel spotlights with covers (1,0 kW) without colour filters

Alternatively:

- 12 PAR 64 (CP60) mounted on bars (2x 6er bars) without colour filters

### Lights Back

- 24 PAR 64 with sufficient choice of colour filters mounted on bars (4x 6er bar)
- 16 PAR 64 as ACL sets on bars (4x 4er bars = 2 ACL sets)
- 04 PAR 64 Floor Spots (1KW)
- 16 PAR 64 Tri-Colour RGB (3W) mounted on 4x 4er bars (e.g. StagePaint FC 14 x 3)
- 04 Touring standard Moving Lights Wash (Floor) (e.g. Expolite Tour wash power 148)
- 04 Touring standard Moving Lights Spot (e.g. Ypoc 700 CMY)
- 04 Touring standard strobes (e.g. GLP Strobe One)
- 02 Touring standard hazers (e.g. Smoke factory „Tour Hazer“)
- 02 Dimmer 24 x 2KW with hotpatch
- 01 Light Multicore 4x DMX 5pole
- 01 Power station & distribution for lighting equipment
- 01 Cabling for all lighting equipment (three phase power, power cables, power distribution, DMX)

# PLANET FLOYD

The lighting equipment above will be complemented by the following equipment, provided via PLANET FLOYD. If PLANET FLOYD will not be able to bring own equipment due to traveling-distance, equivalent equipment also has to be provided by **the local PA rental company**.

- 01 Semi-circle trussing covering backside of stage
- 12 LED RGB moving lights 36 x 3W on semi-circle trussing
- 08 Striplights 20 x 50W
- 01 MA-Lightcommander 48/6 Lighting Desk (other desks have to be agreed with Planet Floyd)
- 01 MA-Scancommander Tourpack Lighting Desk (other desks have to be agreed with Planet Floyd)

## Projection

**Planet Floyd will provide the following:**

- 01 Traverse circle with projection screen (3m diameter). Position to be centered on backtruss.
- 02 Christie LX 500 Beamer (5000 Ansi Lumen each, incl. Clamping system for trussing)
- 01 Cabling from Beamer to FoH, supporting VGA

If PLANET FLOYD will not be able to bring own equipment due to traveling-distance, equivalent equipment also has to be provided by **the local PA rental company**.

## Staff

The band will travel with the following technical staff:

- 01 FoH Sound Engineer
- 01 Monitor Sound Engineer
- 01 Lighting Engineer
- 01 AV Operator

As support we need:

- 01 PA System Tech. (Support for PA system)
- 01 Lighting System Tech. (Support for lighting system)

**These techs should be available from beginning of set-up until end of tear-down.**

If Planet Floyd will provide an own PA rental company ("full-service" for all Sound- and Light-Equipment), these techs are redundant, but we will need:

- 04 Local hands for set-up and tear-down of PA- and Lighting System

**These hands should be available from arrival of Planet Floyd PA rental company and again directly after end of Planet Floyd Show.**

# PLANET FLOYD

## Schedule

The exact schedule will, of course, be adapted to the conditions on every location. The following schedule will give an example and has to be discussed in detail prior to every show.

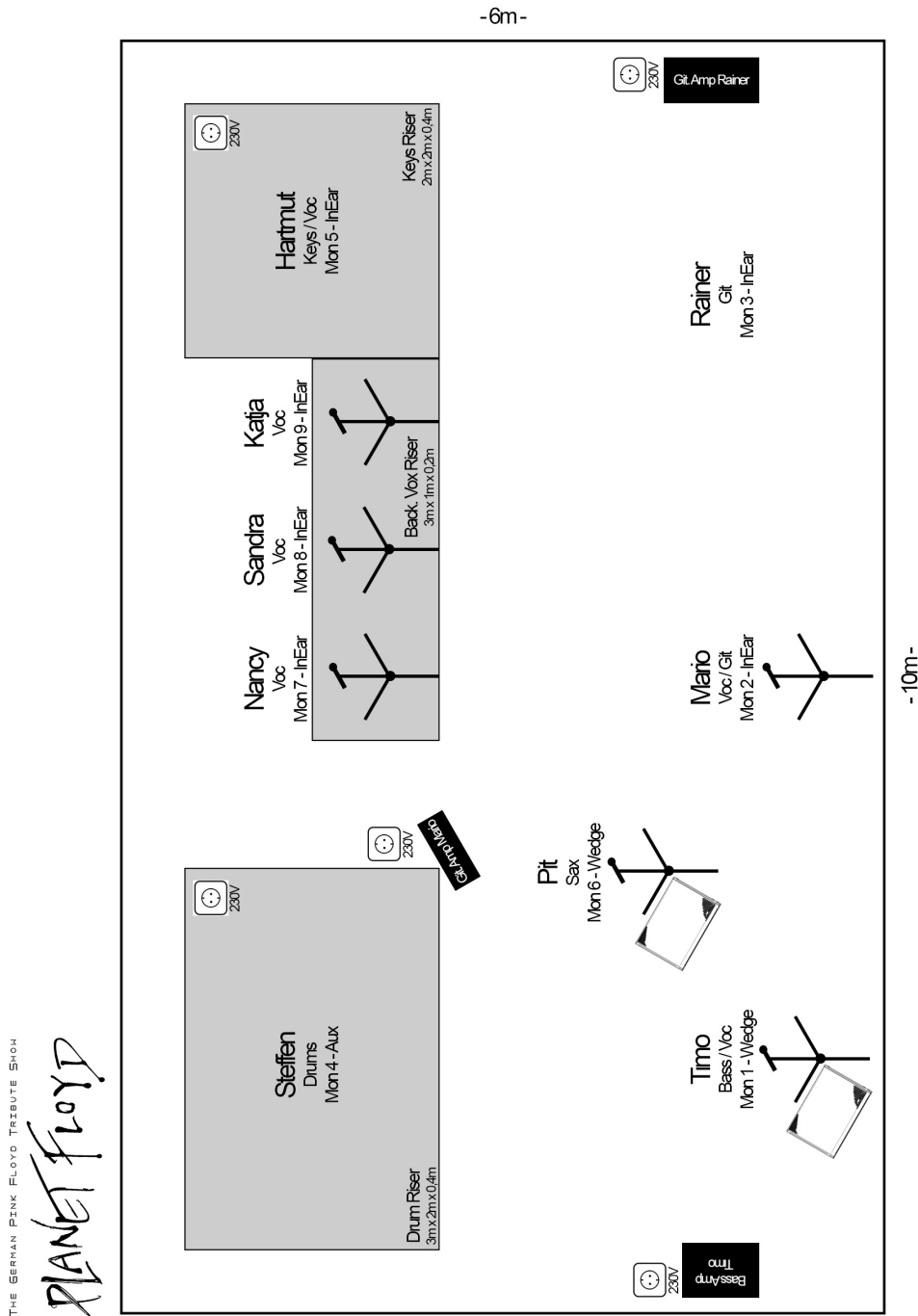
- 10.00 – Get In & Setup of PA- and Lighting Equipment (PA rental company & Planet Floyd Techs)
- 15.00 – Get In PLANET FLOYD / Setup of Backline
- 16.30 – Start Soundcheck PLANET FLOYD
- 18.00 – End Soundcheck PLANET FLOYD
- 19.00 – Doors Open / Dinner
- 20.00 – Showtime PLANET FLOYD

On Get In of PLANET FLOYD, the setup of PA- and Lighting System has to be finished and to be “ready to play”. Stage entrance has to be cleared, to be able to load PLANET FLOYD backline.

**Please let us discuss and clarify any questions before the show-day via phone or email. That will prevent any worries or stress and will let us all have a great and smooth concert day!**

# PLANET FLOYD

**Stageplot**



THE GERMAN PINK FLOYD TRIBUTE SHOW  
**PLANET FLOYD**

# PLANET FLOYD

	Stage	Drum Riser	Keyboard Riser	Back. Vox Riser
<b>Width</b>	10m	3m	2m	3m
<b>Depth</b>	6m	2m	2m	1m
<b>Height</b>	1m	0,4m	0,4m	0,2m

Monitors	Instrument	Name	Type	Provided by
1	Bass	Timo	Wedge	PA rental company
2	Lead Vox	Mario	InEar	Planet Floyd
3	Gitarre	Rainer	InEar	Planet Floyd
4	Drums	Steffen	Aux Send	Drummer brings own Mixer + Drum Shaker
5	Keys	Hartmut	InEar	Planet Floyd
6	Sax	Pit	Wedge	PA rental company
7	Backing Vox	Nancy	InEar	Planet Floyd
8	Backing Vox	Sandra	InEar	Planet Floyd
9	Backing Vox	Katja	InEar	Planet Floyd